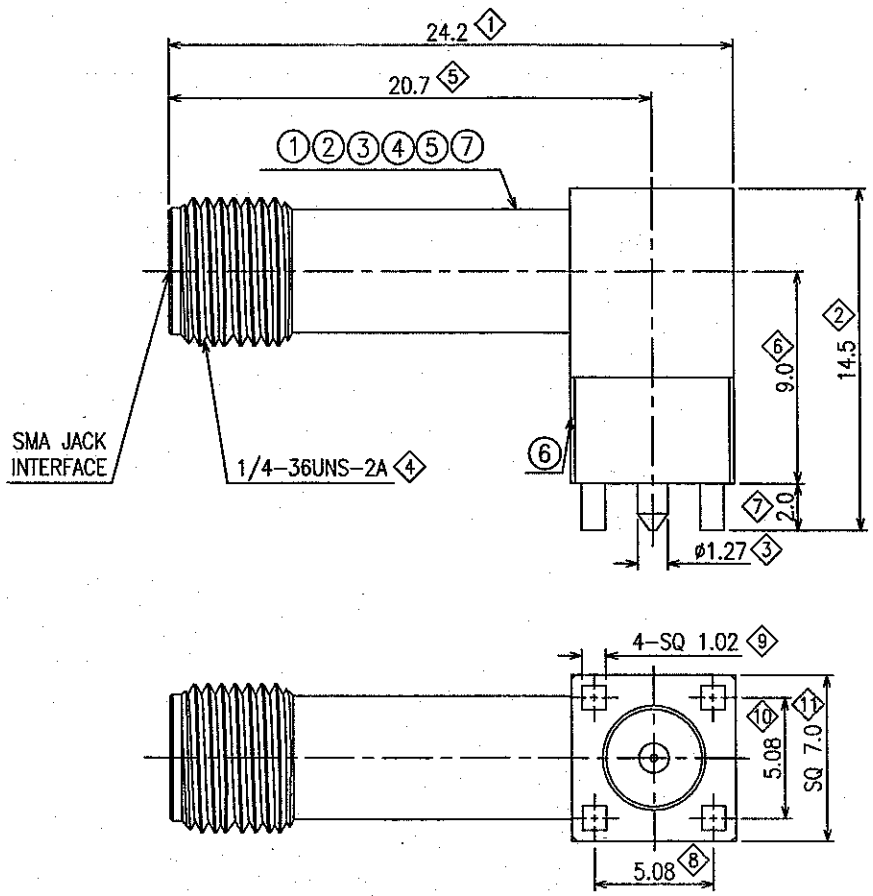


ALL MATERIALS CONTAINED IN THIS DOCUMENT ARE PROTECTED BY COPYRIGHT LAWS, AND MAY NOT BE REPRODUCED, REPUBLISHED, DISTRIBUTED, TRANSMITTED, DISPLAYED, BROADCAST OR OTHERWISE EXPLOITED IN ANY MANNER WITHOUT EXPRESS PRIOR WRITTEN PERMISSION OF KENPOL.

| REV | DATE     | ECO. NO.  | DESCRIPTION  | DRAWN        | CHECK | APPD                       |
|-----|----------|-----------|--------------|--------------|-------|----------------------------|
| A   | 20070518 |           | NEW RELEASE  | L.Y.C        |       | Mingger<br>2007<br>May.18  |
| C   | 20100809 | R20100081 | CHANGE FRAME | L.X.J        |       | Mingger<br>2010.<br>Aug.27 |
| D   | 20150506 | R20150020 | CHANGE FRAME | Zhan Jianjun |       | Erkai May 09               |

- NOTES:
- MECHANICAL SPEC:
    - COUPLING METHOD: THREADED COUPLING.
    - DURABILITY: 500 CYCLES.
  - ELECTRICAL SPEC:
    - IMPEDANCE: 50 ohm.
    - FREQUENCY RANGE: DC~6GHz.
    - OUTER CONTACT RESISTANCE: 2.0mΩ MAX.
    - CENTER CONTACT RESISTANCE: 3.0mΩ MAX.
    - WITHSTANDING VOLTAGE: 1000V
    - INSULATION RESISTANCE: 1000MΩ
  - ENVIRONMENTAL SPEC:
    - OPERATING TEMPERATURE: -65°C~+165°C.



CUSTOMER DRAWING

| ITEM | NAME           | SPEC.            | FINISH                  | Q'TY | ATTACHMENT PART |
|------|----------------|------------------|-------------------------|------|-----------------|
| 7    | INSULATOR 3    | PTFE             | NONE                    | 1    | 102-104-0004-00 |
| 6    | SHELL          | BRASS            | GOLD FLASH OVER NICKEL  | 1    |                 |
| 5    | PIN CONTACT    | BRASS            | GOLD 0.13um OVER NICKEL | 1    |                 |
| 4    | INSULATOR 2    | PTFE             | NONE                    | 1    |                 |
| 3    | SOCKET CONTACT | BERYLLIUM COPPER | GOLD 0.13um OVER NICKEL | 1    |                 |
| 2    | INSULATOR 1    | PTFE             | NONE                    | 1    |                 |
| 1    | BODY           | BRASS            | GOLD FLASH OVER NICKEL  | 1    |                 |

RoHS COMPLIANT

| TOLERANCES WITHOUT DIMENSIONS |            | UNIT  |     | TITLE   | SMA RIGHT ANGLE JACK FOR PCB |
|-------------------------------|------------|-------|-----|---------|------------------------------|
| LINEAR                        | 0.0±0.2    | mm    |     |         |                              |
|                               | 0.00±0.10  | PAPER | A4  |         |                              |
|                               | 0.000±0.05 |       |     |         |                              |
| ANGLES                        | ±2°        | SHEET | 1/1 | DWG.NO  |                              |
|                               |            | SCALE | 3:1 | PART NO | S01-RJPT4-11BS00             |

